



## GEZE PRODUCT NEWS

### DOOR TECHNOLOGY

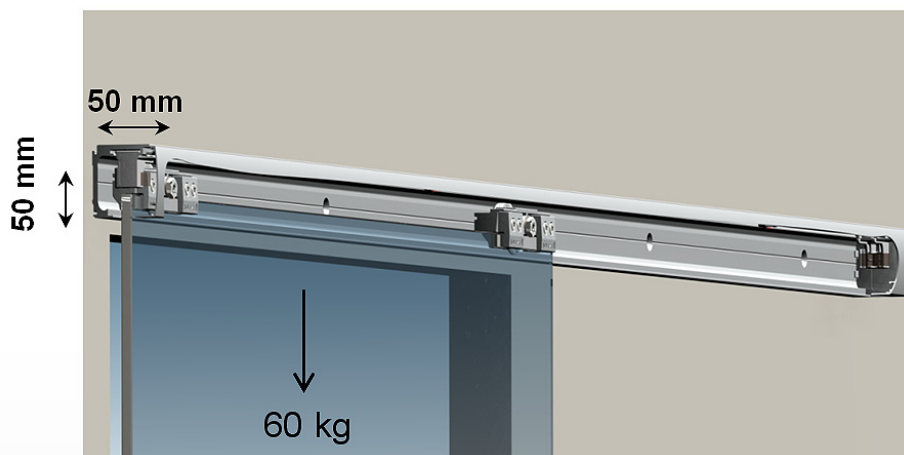
# GEZE Levolan 60 – Setting new standards for manual sliding doors



**Availability:** immediately  
**Delivery:** from stock

## Product description and overview

- Manual sliding hardware for interior glass doors (8-12 mm, no glass preparation necessary) as well as wood, metal or composite doors. For leaf weights up to 60 kg with extremely compact dimensions of only 50 x 50 mm.
- Integration of the complete hardware technology, including door dampening invisibly within the track dimensions.
- Comprehensive modular system containing a wall mounting kit, with additional components available for ceiling or fixed panel assemblies. This simplifies inventory and reduces the number of parts stocked.
- High-quality aluminium finish in EV1, stainless steel or RAL colour, tested to 100,000 simulated cycles according to DIN EN 1527, high corrosion protection Class 3 according to DIN EN 1670.



## GEZE Levolan 60 – Setting new standards for manual sliding doors

### Application possibilities: One sliding door hardware, one comprehensive design, multifaceted opportunities!

- i** All mounting possibilities with the listed leaf materials can be realized. All combinations can be implemented for one and two-leaf sliding doors.



Mounting possibilities				
	Wall	Glass	Ceiling	Fixed panel
Leaf material				
Glass	✓	✓	✓	✓
Wood	✓	✓	✓	✓
Metal / Synthetic	✓	✓	✓	✓
Build				
Single leaf doors	✓	✓	✓	✓
Double leaf doors	✓	✓	✓	✓



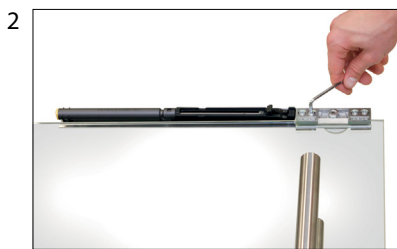
## GEZE Levolan 60 – Setting new standards for manual sliding doors

**Easy to mount and install, easy adjusting options, perfect results:  
"Levolan 60 Smart fix"**

### Levolan 60 Smart fix installation



Fixing the track profile from the front



Fastening the roller carriage on the door leaf with only one allen key



Mounting the door leaf in the track from the front



Fixing the clip covering holders with the same allen key



Clipping the covering profile into position



Attaching the end covers

## GEZE Levolan 60 – Setting new standards for manual sliding doors

### Highlights

✓	<p><b>Design</b></p> <p>Slim design, only 50 x 50 mm, all the hardware technology is integrated and hidden in the track profile, including the one or both sided dampening system Levolan SoftStop</p>
✓	<p><b>System solution that can be integrated in all build types</b></p> <ul style="list-style-type: none"> <li>• Mounting: wall, ceiling / lintel or even glass fanlight.</li> <li>• Door leaf: Glass (8-12 mm, no glass processing), wood, metal, composite or other, each with up to 60 kg weight</li> <li>• Systems: 1- or 2-leaf doors, with or without additional fixed panel element</li> </ul>
✓	<p><b>Hardware mounting and all adjustments from the front</b></p> <p>The height adjustment is freely accessible via a convenient eccentric mechanism so that offsets of + / - 3 mm can be regulated</p>
✓	<p><b>Security: automatic derailing protection</b></p> <p>When the height adjustment for the door leaf is being implemented the derailing function is automatically activated protecting the door from derailment.</p>
✓	<p><b>Levolan 60 Smart fix</b></p> <p>Reducing the required tooling to a minimum. With the basic tooling of one allen key, clip coverings and end covers, the installation time can be reduced to a minimum.</p>
✓	<p><b>Comfort: integrated door dampening within the track profile</b></p> <p>The optional door dampening Levolan 60 SoftStop can be incorporated left, right, or on both sides and is completely integrated in the track, highly robust and can easily be upgraded - no additional machining or processing is required on the door leaf</p>
✓	<p><b>Durability</b></p> <p>Only high quality anodized aluminium profiles and coverings are used, additionally the complete Levolan 60 system is certified according to DIN EN 1527 to 100,000 testing cycles by the internationally accredited TÜV Thüringen.</p>
✓	<p><b>Easy handling and installation</b></p> <p>The language-neutral, illustrated assembly instructions for the complete Levolan 60 system, including all options, allow for quick and convenient installation.</p>
✓	<p><b>Intelligent modular system</b></p> <p>Comprehensive modular system with a single basic wall set as well as additional components (such as ceiling or fixed panel elements), depending on the required application. Simplifies storage and reduces the number of individual parts stocked.</p>

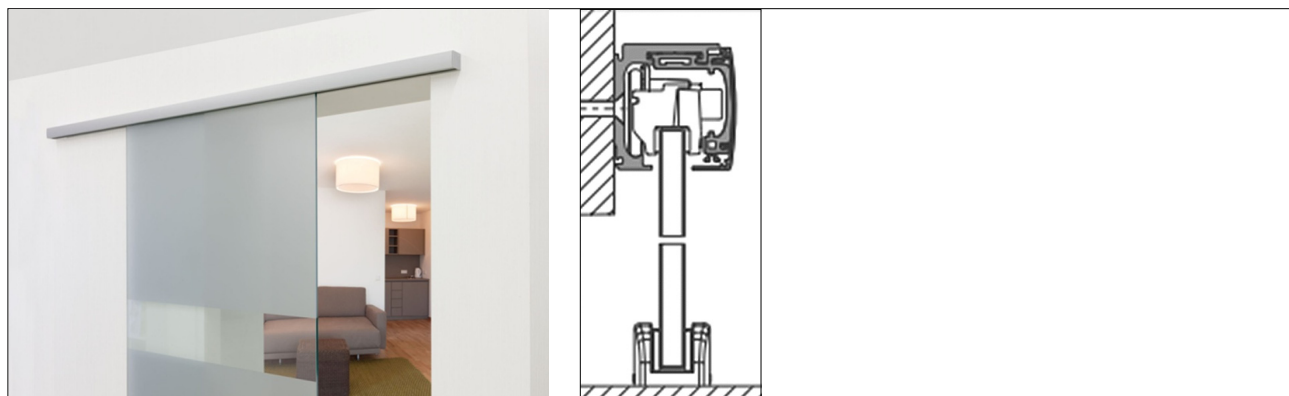
## GEZE Levolan 60 – Setting new standards for manual sliding doors

### Technical data

External dimensions	50 x 50 mm
Leaf weight	up to 60 kg
Leaf materials	glass (8-12mm no glass processing), wood, metal, synthetic
Fixing	wall, ceiling / lintel, glass fanlight
Door dampening Levolan SoftStop	left, right, double sided (optional, double sided available from leaf widths of 770 mm)
Material – track, coverings	aluminium, anodized and lacquered
Colours	EV1, stainless-steel effect, RAL
Height adjustment	eccentric bolt, +/- 3 mm
Angle adjustment	+/- 3° compensated automatically by the hardware
Corrosion protection class	3 according to DIN EN 1670
Testing cycles	100.000 according to DIN EN 1527
Assembly and adjustments	complete hardware accessible from the front

### Ordering information: The intelligent modular system


**i** The starting point for all the rest: The Levolan 60 basic set for wall mounting



#### Standard set (wall mounting)

Set for 1 door comprising a runner track of the respective length, roller carriage with hold-open spring on both sides, cover profile for the front, trim bracket, buffer on both sides, end covers, adjustable glass floor guide



Description	Version	Leaf width in mm	Length in mm	ID.No.	€	Unit	DC
 <b>Levolan 60 complete set</b> for wall assembly <b>NEW</b>	EV1	400-840	1.650	147164	174,00	1 pc.	03
	EV1	400-1.040	2.050	147165	184,00	1 pc.	03
	EV1	400-1.240	2.450	147166	194,00	1 pc.	03
	stainless steel colour	400-840	1.650	147167	229,00	1 pc.	03
	stainless steel colour	400-1.040	2.050	147168	249,00	1 pc.	03
	stainless steel colour	400-1.240	2.450	147169	276,00	1 pc.	03

## GEZE Levolan 60 – Setting new standards for manual sliding doors

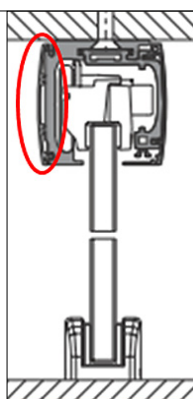
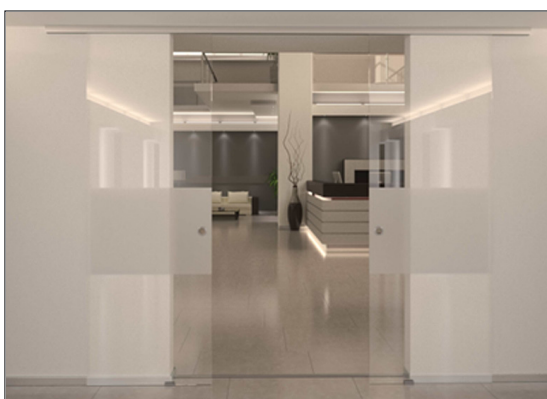
### **i** Approved door dampening for more comfort and safety options:

(easy to retrofit)



	<b>Levolan 60 SoftStop set, damped at one side, up to 60 kg</b> for draw-in damping on the left, comprising: 1 x damping unit, 1 x mount for roller carriage, 1 x actuator, also retro-fittable - minimum leaf width 570 mm	146370	64,00	1 pc.	03
	<b>Levolan 60 SoftStop set, damped at one side, up to 60 kg</b> for draw-in damping on the right, comprising: 1 x damping unit, 1 x mount for roller carriage, 1 x actuator, also retro-fittable - minimum leaf width 570 mm	146401	64,00	1 pc.	03
	<b>Levolan 60 SoftStopDuo, damped at both sides, up to 60 kg</b> for draw-in damping on the left & right, comprising: 1 x double damping unit, 2 x mount for roller carriage, 2 x actuator, also retro-fittable - minimum leaf width 770 mm	146402	98,00	1 pc.	03

### **i** For ceiling mounting: You simply need to order the supplementary components

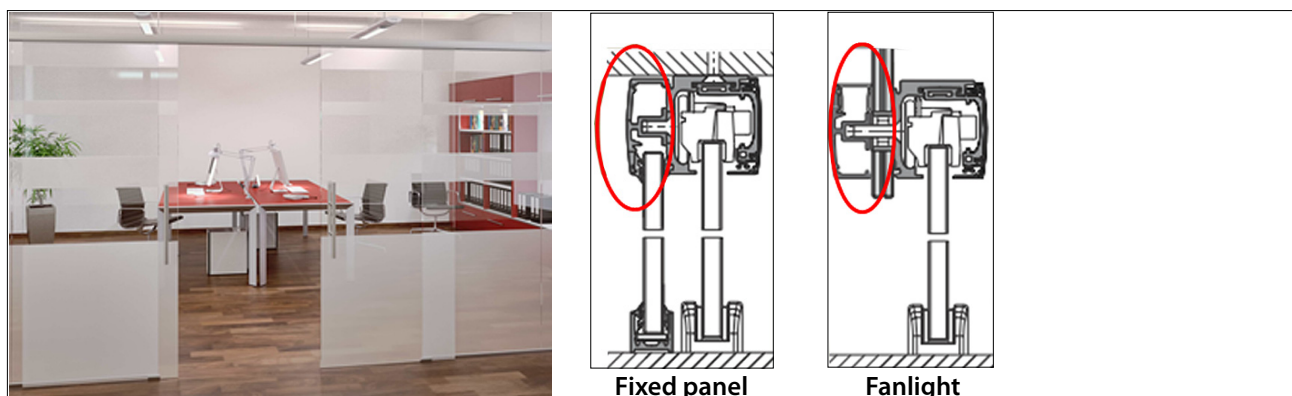


	Description	Version	Length in mm	ID.No.	€	Unit	DC
	Back cover profile set for Levolan 60 for facing the back for ceiling installation, with end covers and round cord	EV1	1.650	147221	23,50	1 pc.	03
		EV1	2.050	147222	24,90	1 pc.	03
		EV1	2.450	147223	26,60	1 pc.	03
		stainless steel colour	1.650	147224	46,10	1 pc.	03
		stainless steel colour	2.050	147225	53,40	1 pc.	03
		stainless steel colour	2.450	147226	60,70	1 pc.	03



## GEZE Levolan 60 – Setting new standards for manual sliding doors

**i** For fixed panel or fanlight mounting: The "attachment" profile is used here

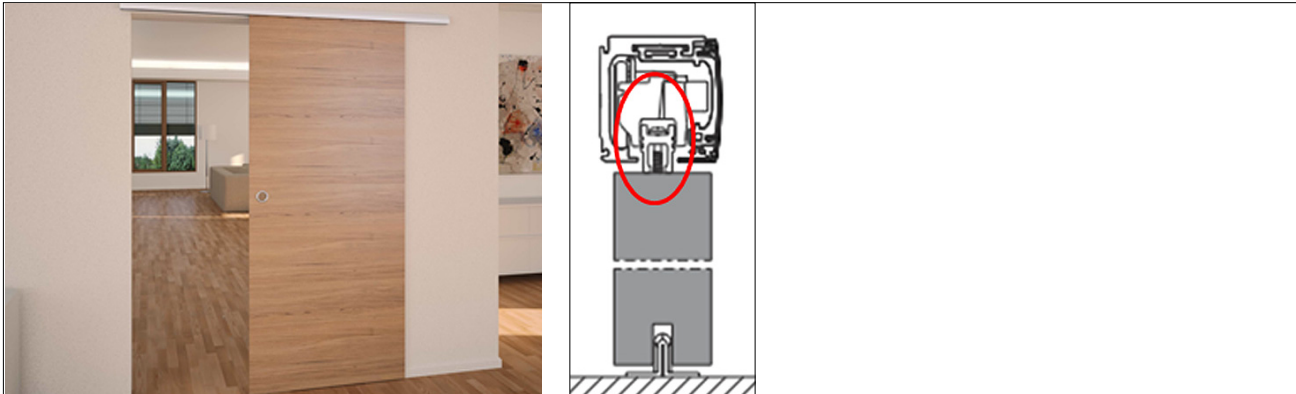


	Description	Version	Length in mm	ID.No.	€	Unit	DC
	<b>Additional profile set for fixed panel / glass attachment for Levolan 60</b> as add-on profile for creating a fixed panel at the side or for attachment to a glass skylight, comprising: Additional profile, cover profile for free fixed panel area, glass seal 12m, U-profile 1.5m, end cover U-profile incl. glass supports, attachment set for fixed panel (also order glass attachment set for glass attachment!)	EV1	1.650	147227	85,80	1 pc.	03
		EV1	2.050	147228	91,70	1 pc.	03
		EV1	2.450	147229	97,10	1 pc.	03
		stainless steel colour	1.650	147230	164,90	1 pc.	03
		stainless steel colour	2.050	147231	181,00	1 pc.	03
		stainless steel colour	2.450	147232	197,00	1 pc.	03
	<b>Additional profile for fixed panel / glass attachment for Levolan 60</b> as add-on profile for creating a fixed panel at the side or for attachment of the Levolan 60 to a glass skylight	EV1	1.650	146297	33,60	1 pc.	03
		EV1	2.050	146298	39,80	1 pc.	03
		EV1	2.450	146299	45,50	1 pc.	03
		EV1	6.000	146300	89,20	1 pc.	03
		stainless steel colour	1.650	146301	78,90	1 pc.	03
		stainless steel colour	2.050	146302	95,80	1 pc.	03
		stainless steel colour	2.450	146303	112,70	1 pc.	03
		stainless steel colour	6.000	146304	254,00	1 pc.	03
	<b>Set of attachment material for glass Levolan 60</b> for attachment of the additional profile through a glass pane on the runner track, including glass lead-through sleeves			146362	24,90	1 pc.	03
	<b>Set of end covers Levolan 60</b> for wall mounting, fixed panel, glass attachment	EV1		146341	5,30	1 pc.	03
		stainless steel colour		146342	5,30	1 pc.	03
		black		146343	3,90	1 pc.	03
		acc. to RAL <sup>1)</sup>		146344	3,90	1 pc.	03
	<b>Cover profile fixed panel for Perlan 140 / Levolan 60</b> for facing the fixed panel area not used with Perlan 140 / Levolan 60 as well as for top covering with glass installation Levolan 60	EV1	6.000	127003	37,00	1 pc.	03

<sup>1)</sup> Surcharge for RAL special colours, see General Information in the Price List.

## GEZE Levolan 60 – Setting new standards for manual sliding doors

**i** For a door leaf other than glass: No problem with the clamping profile for wooden doors



	Description	Version	Length in mm	ID.No.	€	Unit	DC
	<b>Clamping profile for attaching wooden/metal leaves</b> for the attachment of door leaves made of wood / metal / plastic to Levolan 60 / 150	EV1	1.000	146957	16,80	1 pc.	03
		EV1	1.500	146958	25,10	1 pc.	03

**Note:**

You can also order all items as well as profiles and bespoke lengths. The respective ID numbers can be found in the current GEZE price list.